



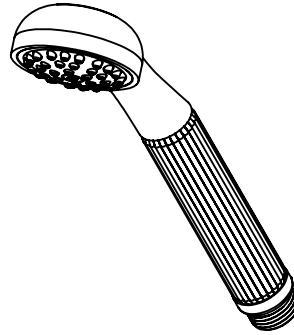
Features

- Over 30 finishes including 14 PVD finishes
- Solid brass construction
- Self-clean rubber jets
- 1/2" MIP inlet
- Grooved insert (HS-15)
- Smooth insert (HS-15S)
- 2.5 gpm (9.5 Lpm) max flow rate
- Order **WE** for 2.0 gpm (7.6 Lpm) max flow rate

Codes/Standards Applicable

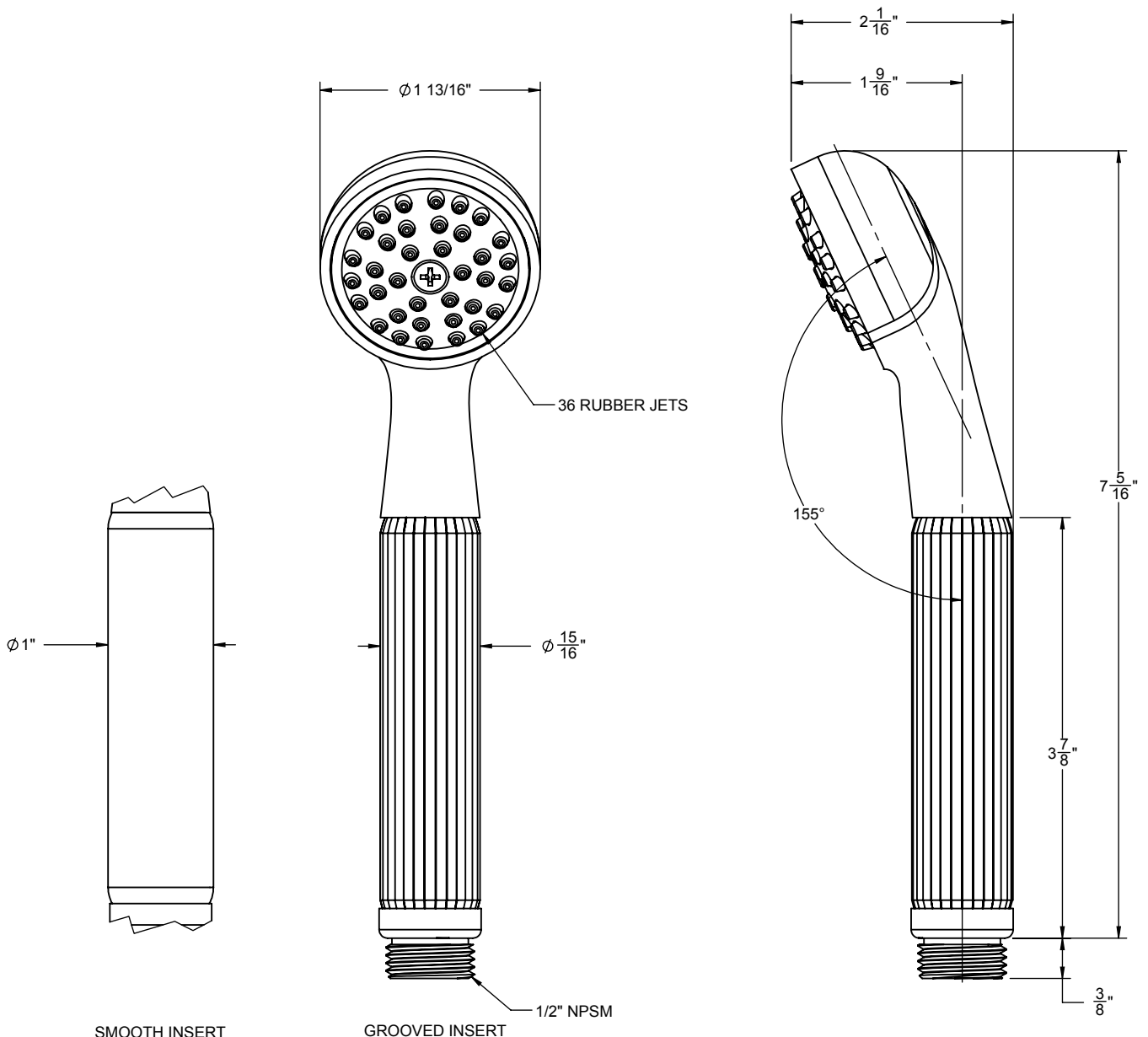
Meets or exceeds the following at date of manufacture:

- ASME A112.18.1/CSA B125.1



HS-15
WE-HS-15
HS-15S
WE-HS-15S

*HS-15 PICTURED



ALL DIMENSIONS SHOWN TO NEAREST 1/16"