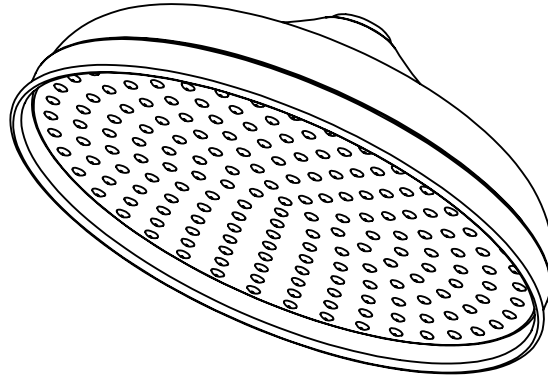




### Features

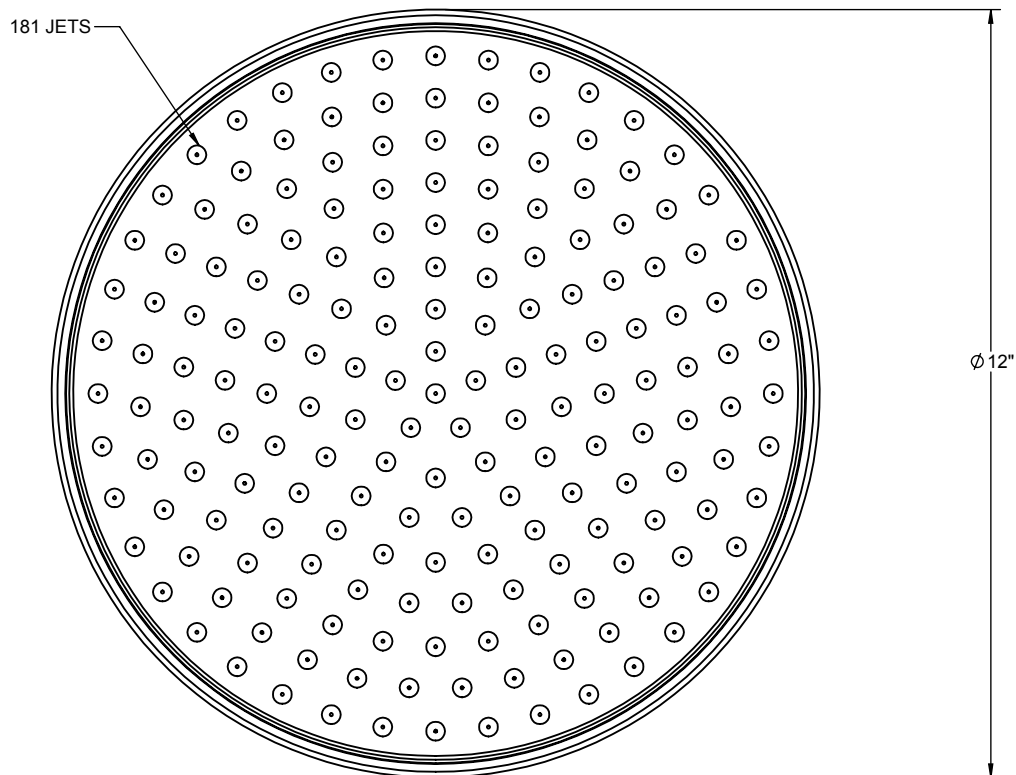
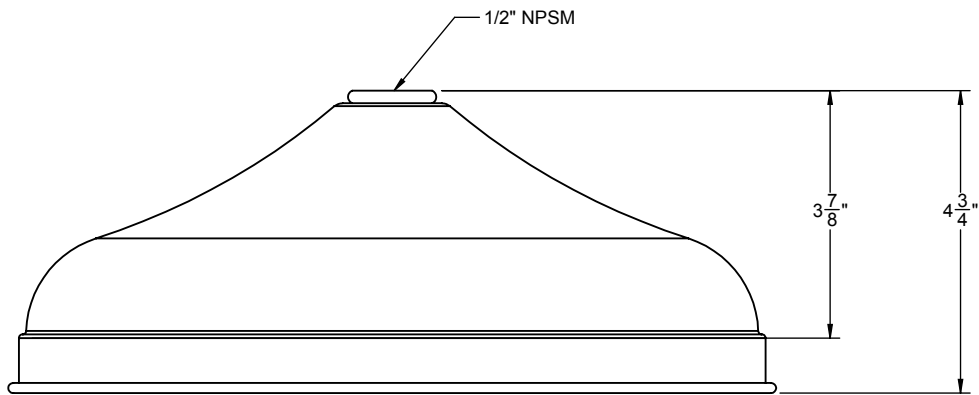
- Over 30 finishes including 14 PVD finishes
- Solid brass construction
- 12" face diameter
- 1/2" FIP inlet
- 2.5 gpm (9.5 Lpm) max flow rate
- Order **WE** for 2.0 gpm (7.6 Lpm) max flow rate

### SH-112 WE-SH-112



### Codes/Standards Applicable

- Meets or exceeds the following at date of manufacture:
- ASME A112.18.1/CSA B125.1



ALL DIMENSIONS SHOWN TO NEAREST 1/16"