



TO-4508X

Features

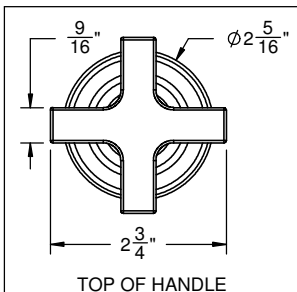
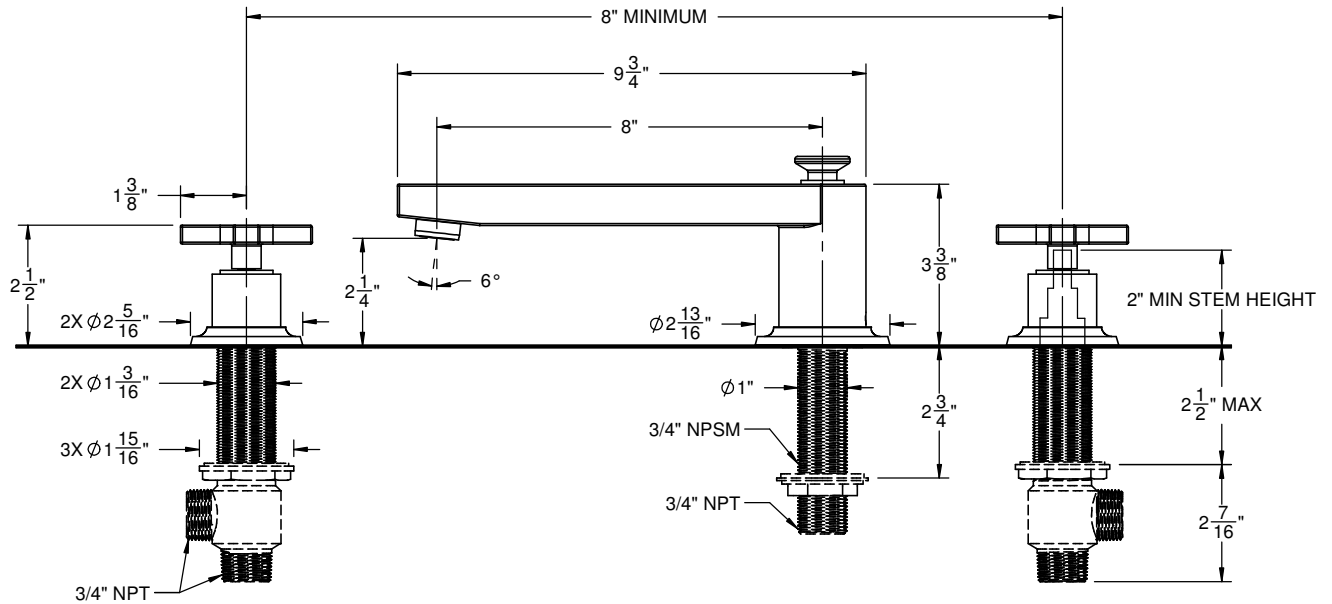
- 8" spout center to center
- Spout has easy Quick Connect fitting
- 16 gpm (60.6 L/min) max flow rate at 60 psi
- Requires rough valve (08-75-99) sold separately
- Solid brass construction
- Over 30 finishes including 15 PVD finishes



Codes/Standards

Product meets or exceeds the following:

- ASME A112.18.1/CSA B125.1



| THROUGH-HOLE SPECIFICATIONS | | | |
|-----------------------------|---------|-------------|---------|
| | MIN | RECOMMENDED | MAX |
| SPOUT: | Ø1" | Ø1-3/8" | Ø1-5/8" |
| VALVE: | Ø1-1/4" | Ø1-3/8" | Ø1-5/8" |