



California Faucets®

**Descanso™**

**WALL TUB SPOUT**

**Features**

- Maximum 6-7/16" wall to center
- Max flow rate: 16 gpm (60.6 L/m) at 60 psi
- For use with StyleTherm, 3-VR or 2-VR valves
- Solid brass construction
- Over 30 finishes including 15 PVD finishes

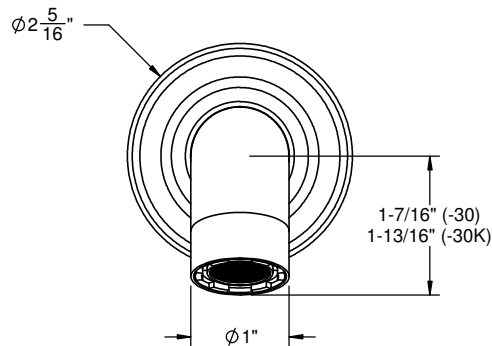
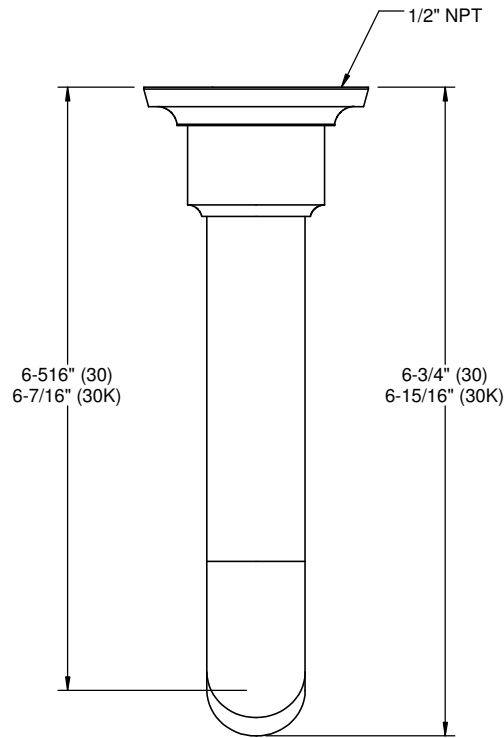
**TS-30-30**  
**TS-30K-30**



**Codes/Standards**

- Product meets or exceeds the following:
- ASME A112.18.1/CSA B125.1

(TS-30K-30 SHOWN)



THROUGH-HOLE SPECIFICATIONS		
MIN	RECOMENDED	MAX
SPOUT: Ø1"	Ø1-1/4"	Ø1-9/16"