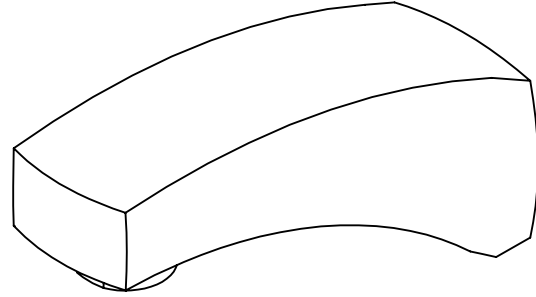




TS-44

Features

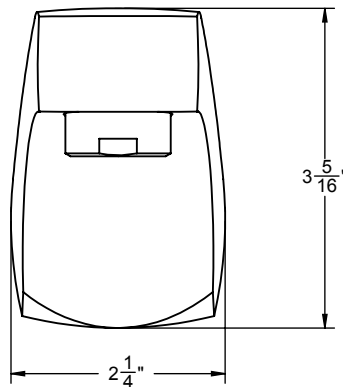
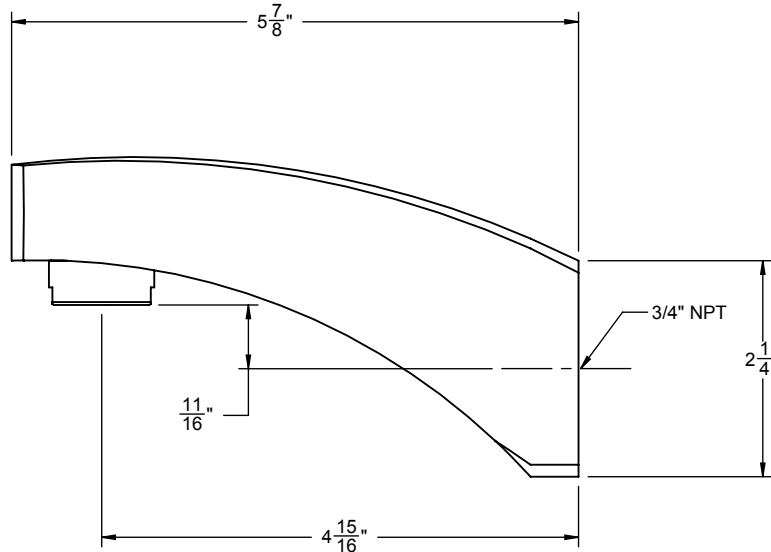
- Over 30 finishes including 14 PVD finishes
- Solid brass construction
- Spout projection 5" to center
- 16 gpm (60.6 L/m) maximum flow rate
- For use with StyleTherm, 3-VR or 2-VR valves
- See www.calfaucets.com for additional product offerings



Codes/Standards Applicable

Meets or exceeds the following at date of manufacture:

- ASME A112.18.1/CSA B125.1



ALL DIMENSIONS SHOWN TO NEAREST 1/16"